

Deluxe Security Podium

Space-Saving | Enhanced Security | Electronics Ready

We increased the width of our Deluxe Security Podium and added a counter above the working surface to give this podium a premium look. An anchor loop allows the podium to be secured, a locking bar adds additional security. A grommet is installed in the working surface and base of the podium so electronics can be easily routed through the unit.



Basic Features

- Countertop with brushed stainless steel trim
- Electronic compatible
- Locking security bar
- Anchor loop
- 16 gauge, heavy-duty sheet metal construction
- Scratch-resistant textured black finish
- Zinc hardware
- Brushed stainless steel working surface
- Umbrella holder
- 4 Heavy-Duty Locking Casters
- 2 cam locks w/ keys
- Replaceable parts
- Pre-assembled
- Manufacturer's Warranty

Dimensions: 36.5"W x 24"D x 49"H

Weight: 125 lbs.

Upgrade Options

Door Lock

Combination Lock + \$85.00

Schlage Key Pad Lock + \$450.00

Sneeze Guard

3 Panel + \$95.00

Exterior

LED Kit (No Battery) + \$160.00

LED Kit + \$435.00

Bottom Trim + \$150.00

Miscellaneous

Short Shelf + \$30.00

Long Shelf + \$55.00

Artwork Upgrades

Large Magnet + FROM \$205.00

Vinyl Decal + FROM \$275.00

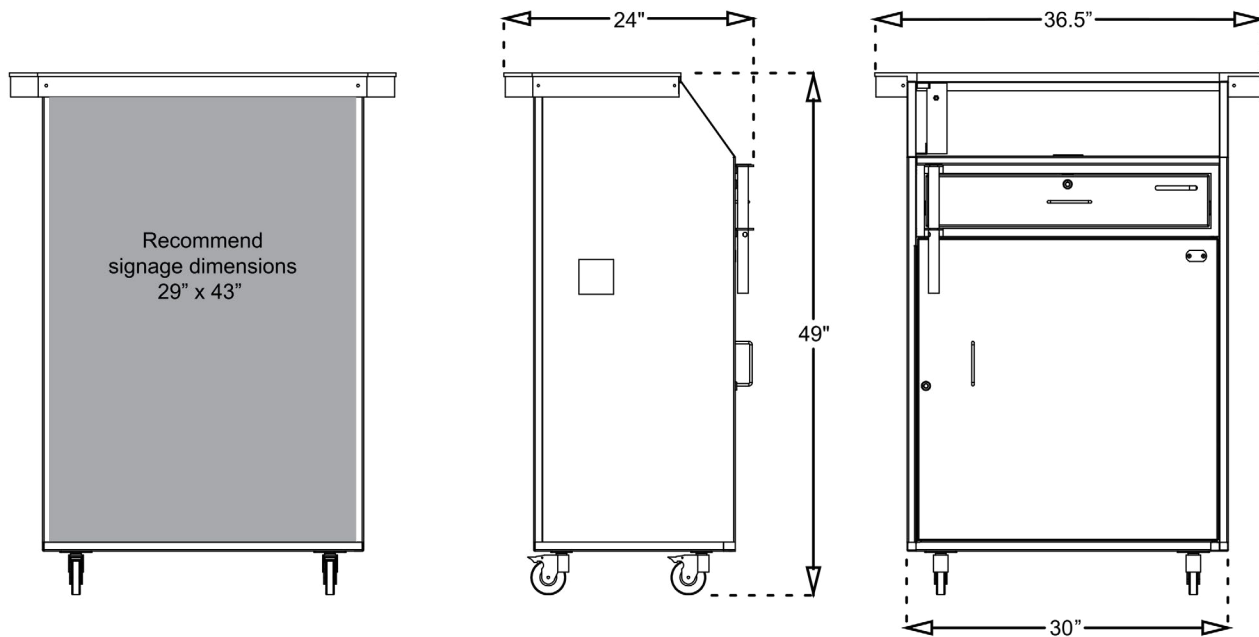
Vinyl Wrap + FROM \$450.00

Accessories

Podium Cover + \$80.00

Heavy-duty Podium Cover + \$115.00

Umbrella + \$255.00



**TOTAL COST
BEFORE DELIVERY**

\$1,275 (basic options)