



Portable Professional Security Desk

Electronics Ready, Modern Appearance, LED Compatible

The flagship of our line is the Portable Professional Security Desk. Its stainless steel accents and curved design (the front panel is convex) give it a modern and professional look that's great for airports, malls, hospitals, business centers or any other upscale location. The portable professional security desk features a stainless steel greeting counter that has the ability to integrate a USB charging station with 4 ports and a slot to accommodate the wiring for PC monitors, iPads, 2-way headsets and other electronics. There is a vented cage inside the security desk for one PC tower, a shelf and plenty of room for storage. The unit comes with a fold-down drawer with interchangeable positions to accommodate a keyboard. Sitting at 51" in height this desk is perfect for greeting people from a sitting or standing position. This security station comes equipped with heavy-duty locking casters and the kick plate conceals the casters from view.

The optional integrated LED kit lights the front panel of the security desk providing enough lighting to attract just the right amount of attention without being overly flashy. It also lights up the security desk's counter area and the storage area below improving visibility for your staff.



Basic Features

- Modern, curved appearance with stainless steel accents
- Convex front panel and curved side panels
- Brushed stainless steel greeting counter
- Stainless steel counter with electronics slot
- Recessed stainless steel accent on front panel
- Stainless steel kick plate that conceals casters
- Optional USB charging station with 4 ports
- Vented cage for PC tower
- Fold-down drawer
- Integrated LED option w/ rechargeable sealed battery
- Electronics Ready
- Scratch-resistant textured black finish
- Corrosion resistant hardware (zinc coated)
- Brushed stainless steel working surface
- Umbrella holder
- 2 locking and 2 non-locking heavy duty casters
- 4 cam locks w/ keys
- Replaceable parts
- Pre-assembled
- Manufacturer's Warranty

Dimensions: 47"W x 27"D x 51"H

Weight: 350 lbs.

Upgrade Options

Door Lock

Dual Key/ Combination Cam Lock + \$120.00

Schlage Key Pad Lock + \$500.00

Ultraoq UL3 Lock + \$520.00

Exterior

LED Kit + \$349.00

Sneeze Guard

3 Panel + \$215.00

Miscellaneous

Cash Tray Drawer Insert + \$55.00

Long Shelf + \$75.00

PC Wall + \$80.00

Accessories

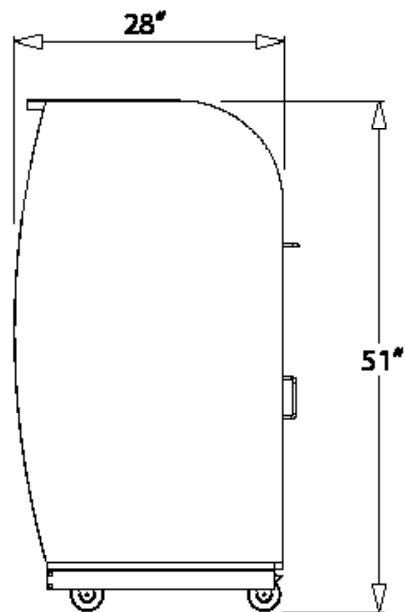
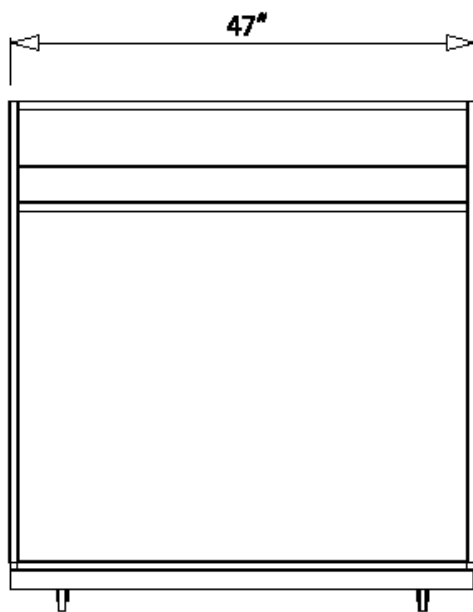
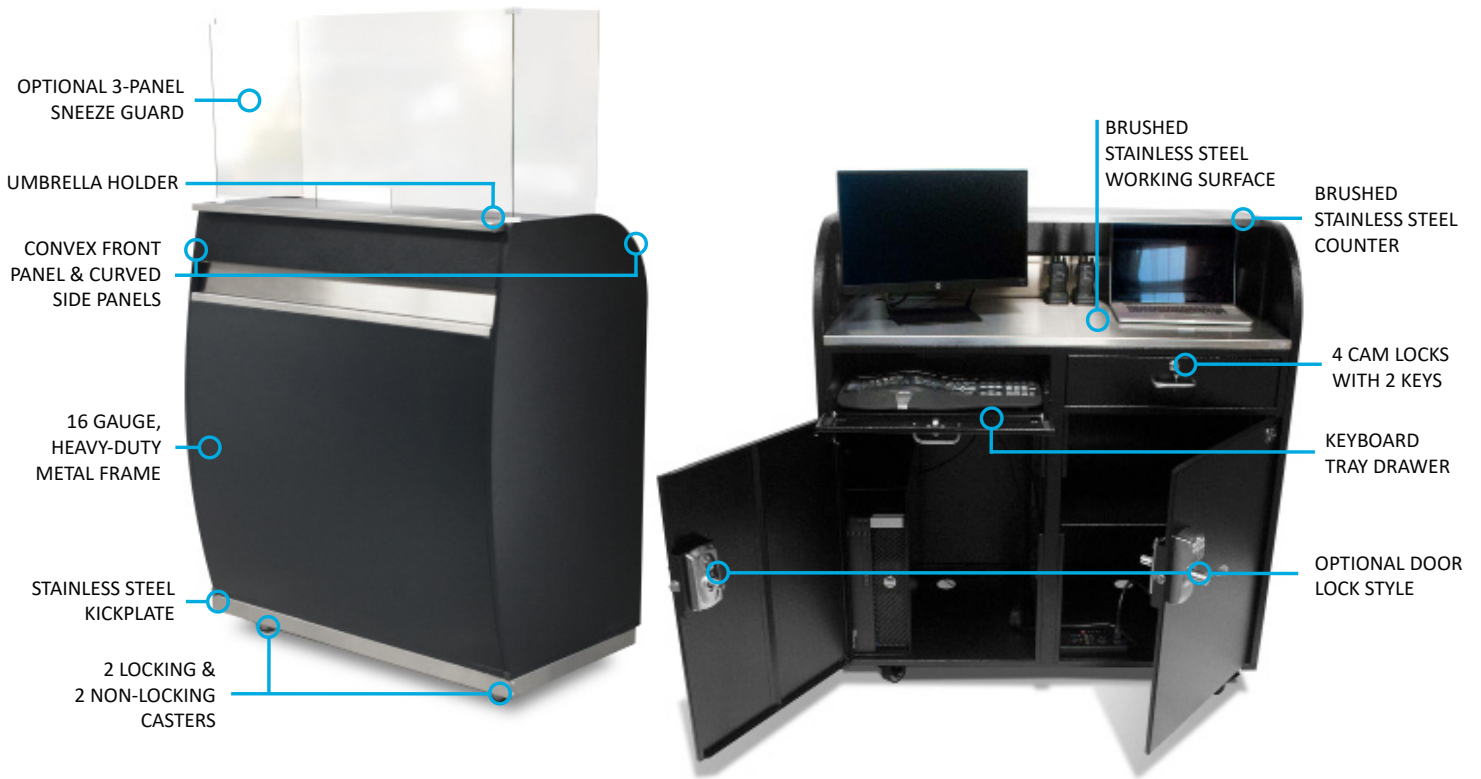
USB Charging Station + \$39.99

Podium Cover + \$69.00

Heavy-Duty Podium Cover + \$99.00

Umbrella + \$195.00





**TOTAL COST
 BEFORE DELIVERY**

\$2,079 (basic options)