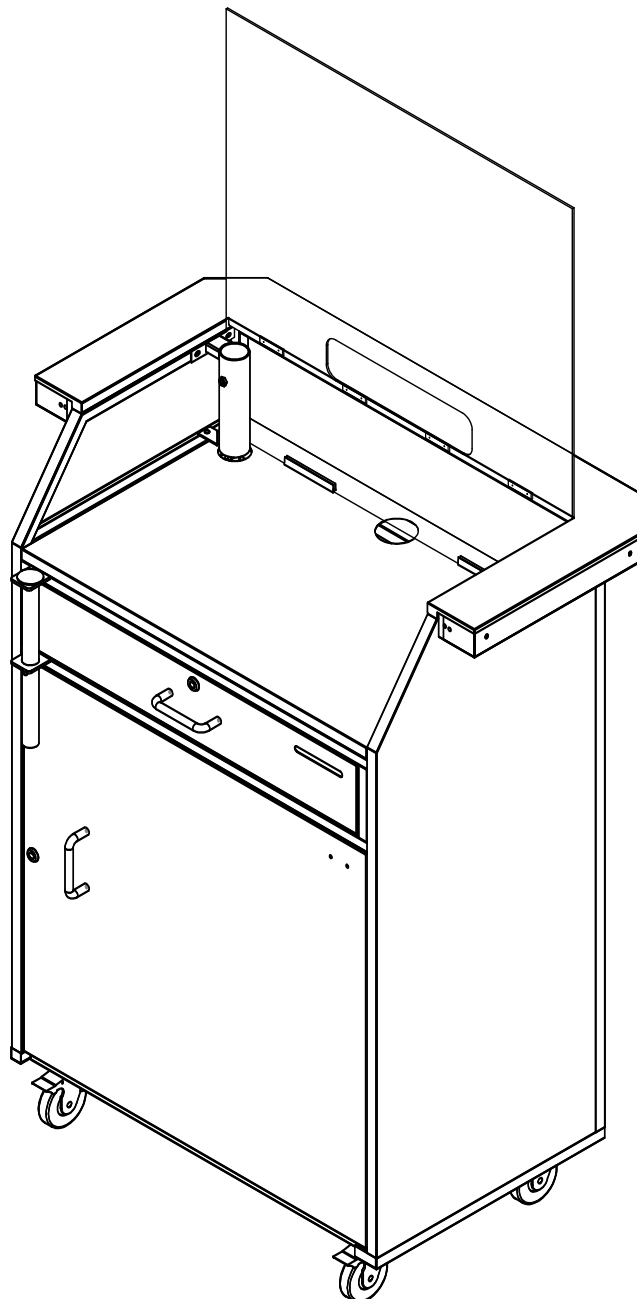


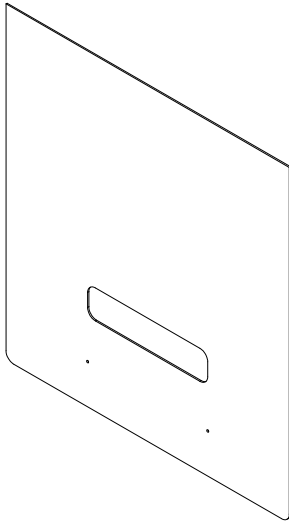


DELUXE SECURITY PODIUM SNEEZE GUARD SET UP

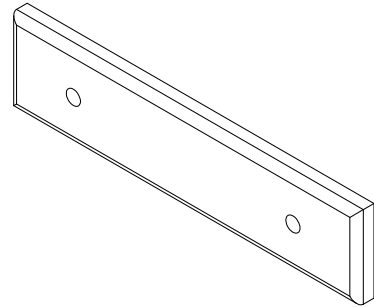


- **Read all the instructions before installing.**
- **Remove all packing materials before you start.**
- **Remove all protection films from acrylic panels.**
- **This installation requires basic mechanical skills.**
- **Proper installation is the responsibility of the installer.**
- **Product failure due to improper installation is not covered under the warranty.**
- **Keep this instruction manual.**

Sneeze Guard
QTY: 1

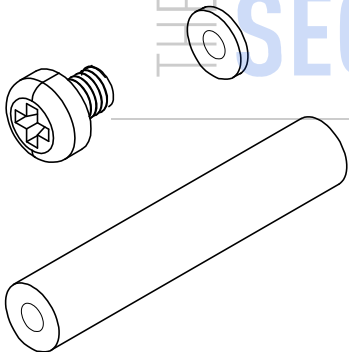


Magnet
QTY: 4

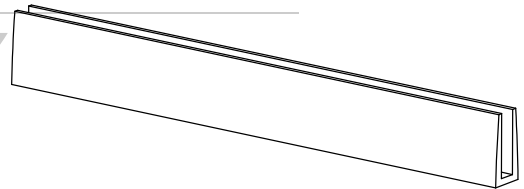


Note: Magnets come attached to Sneeze Guard

Screw, Washer and Spacer
QTY: 2 ea



Aluminum Channel
QTY: 2



Note: Parts are not to scale.

STEP 1: Place sneeze guard in a upright position. Hold spacer as shown below while installing its screw. Remember to install provided washer as well. Repeat process for both spacers.

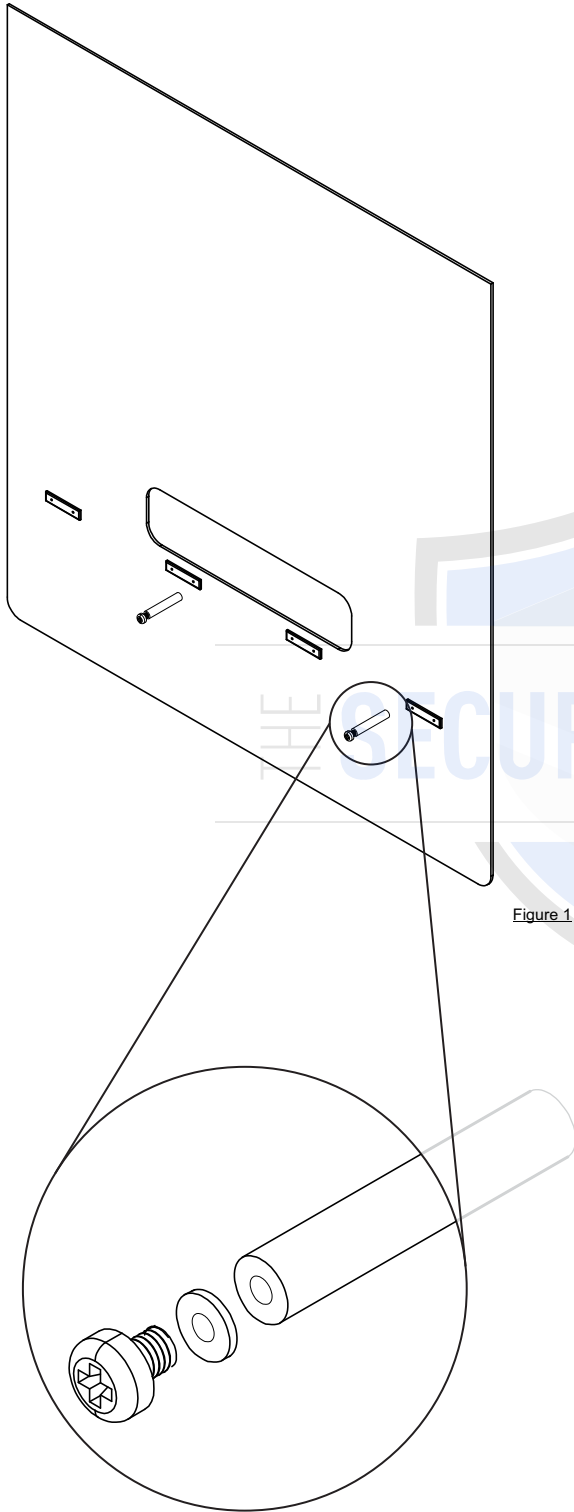


Figure 1

Figure 2

STEP 2: Install sneeze guard by sliding in from above with magnets and spacers forward. Attach magnets to the lip of the top counter (highlighted in red)

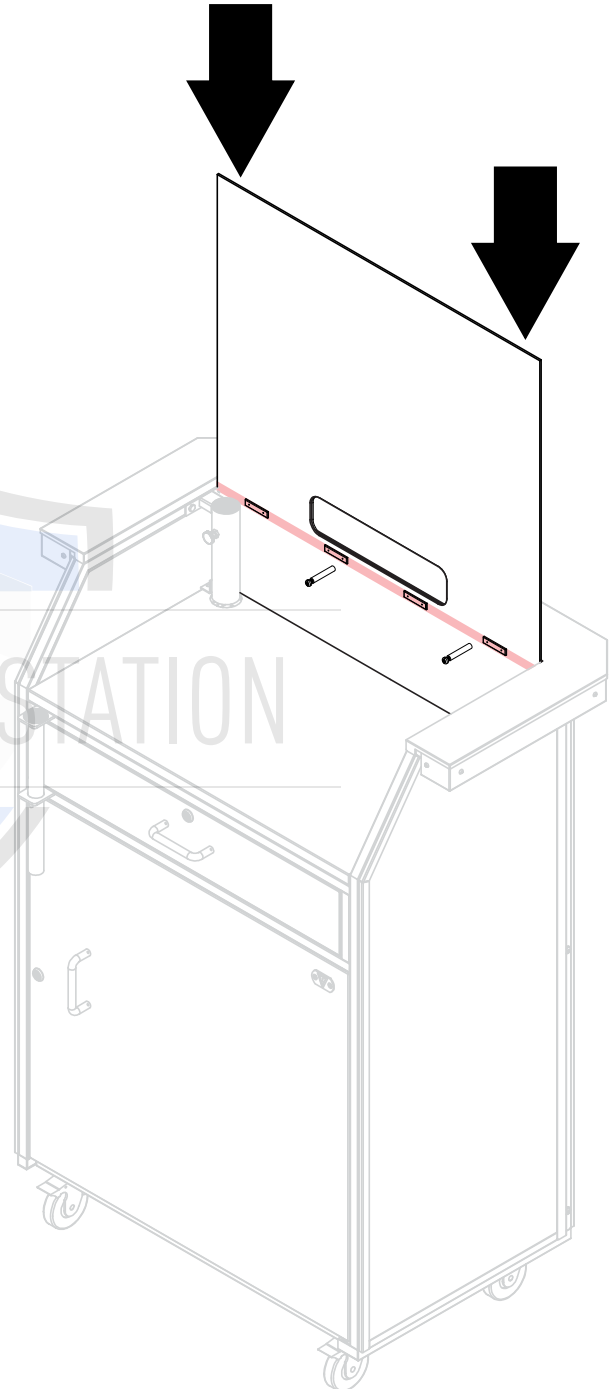


Figure 3

Follow next page steps if additional stability is needed

These steps will increase stability but the Aluminum Channel will strongly adhere to the work surface

STEP 1: Use two pieces of masking tape to mark where the sneeze guard touches the working surface.

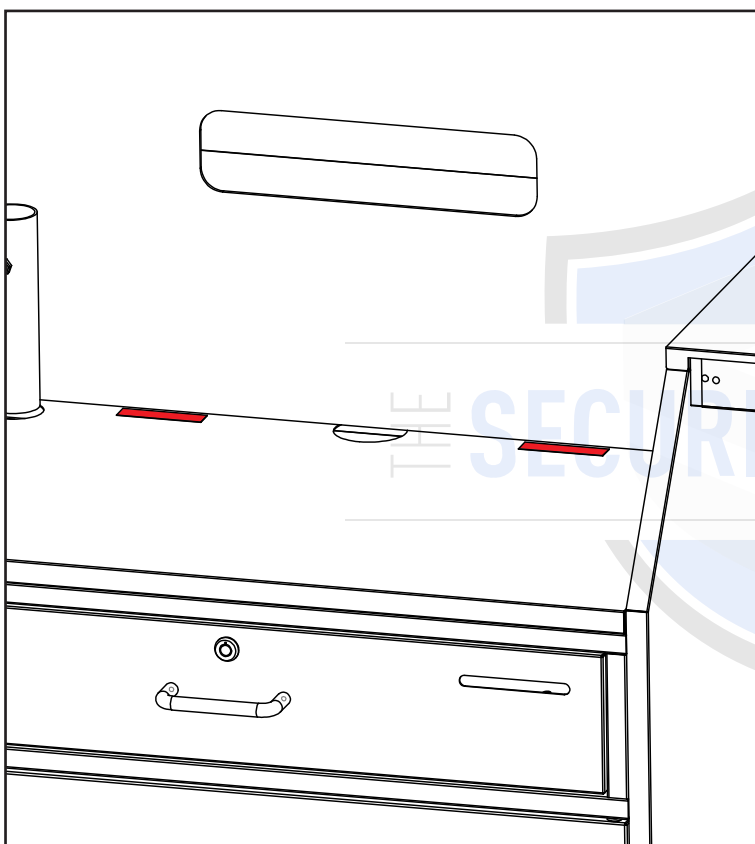
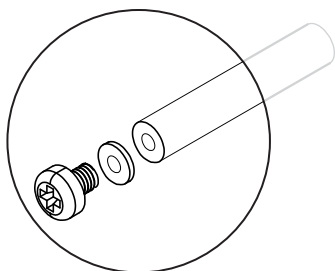


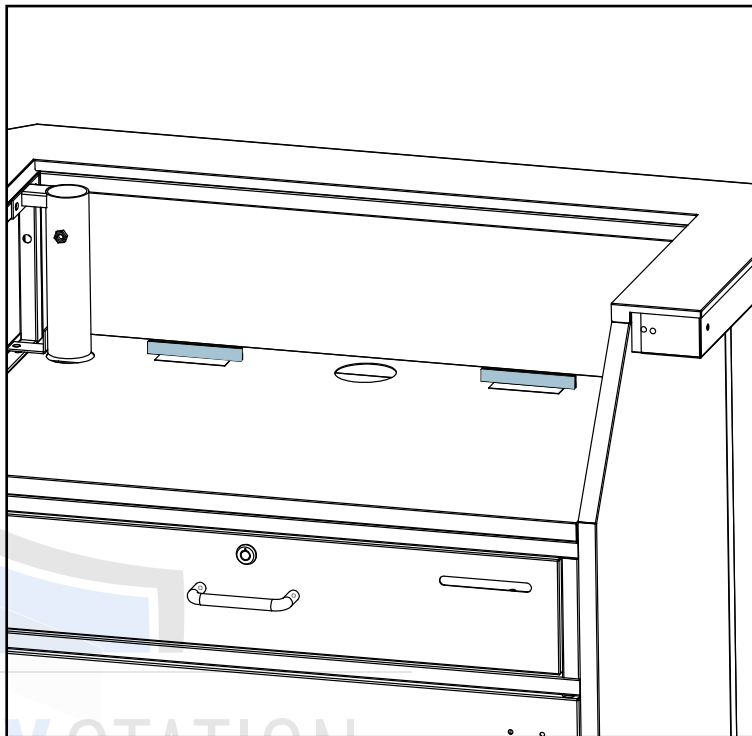
Figure 2

STEP 2: Remove sneeze guard completely.

STEP 3: Remove previously installed spacers.

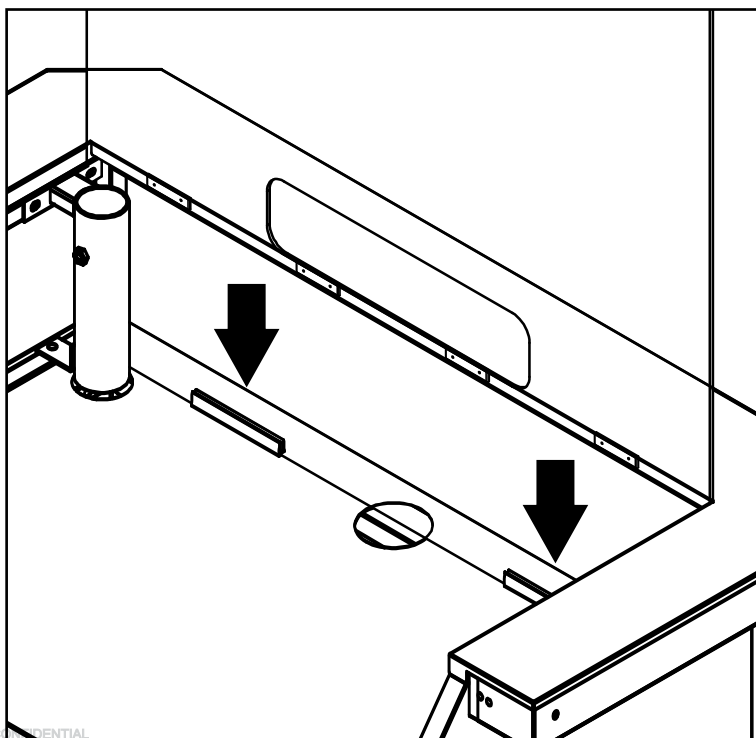


STEP 4: Peel double sided tape on the bottom of the Aluminum Channels and adhere them to working surface. Follow the tape markings as shown below:



STEP 5: Remove tape markings.

STEP 6: Re-install sneeze guard following Steps 1 and 2. Make sure to align sneeze guard with both Aluminum Channels.





Contact us

Tel # 877-740-3327

Fax # 866-659-3353

E-mail: sales@thesecuritystation.com

Visit us at

www.thesecuritystation.com

