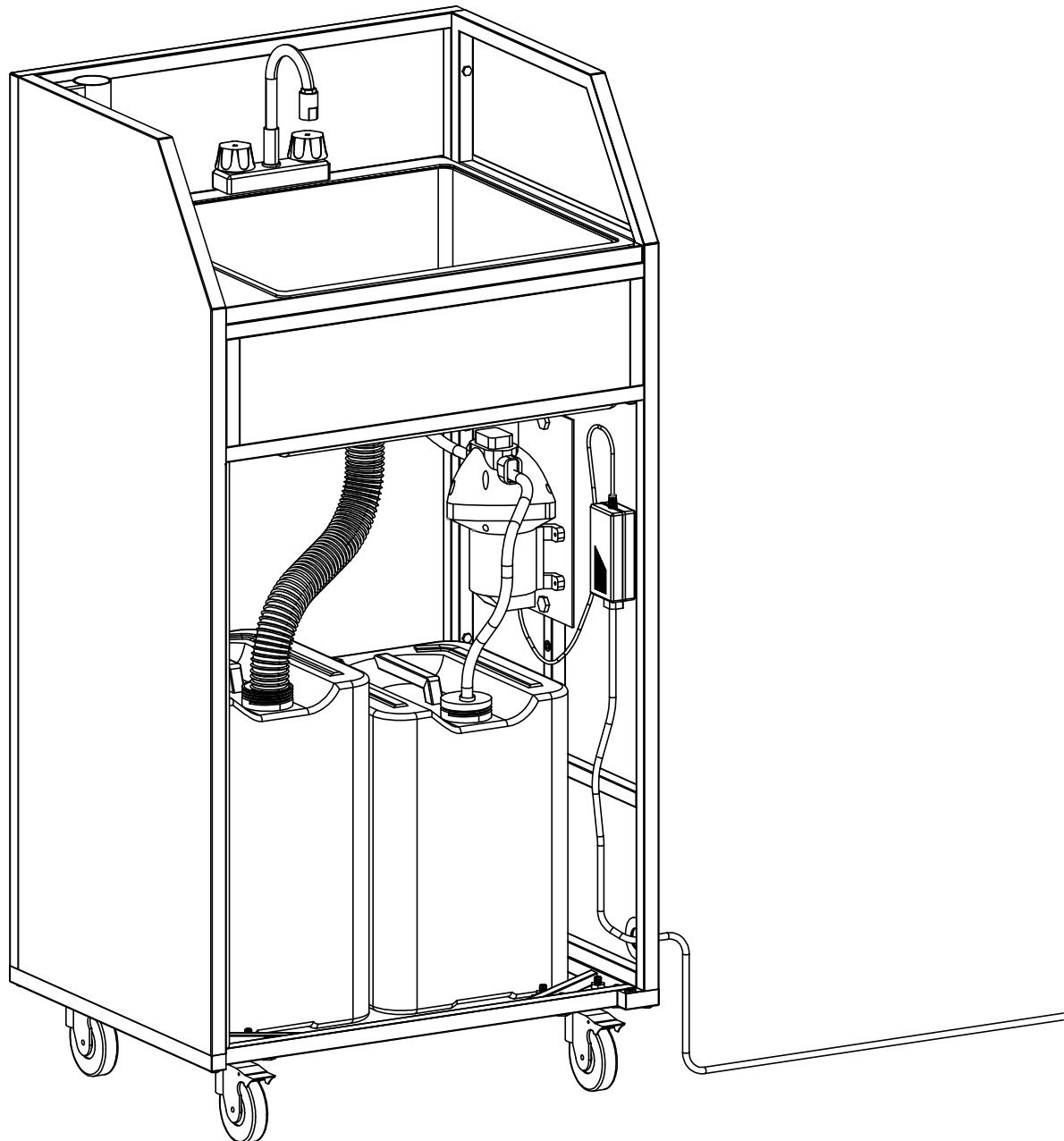




THE **SECURITY** STATION

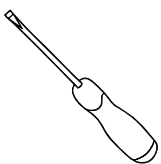


# STANDARD SECURITY PODIUM PORTABLE HAND WASH SYSTEM



- **Read all the instructions before installing.**
- **Remove all packing materials before you start.**
- **This installation requires basic mechanical skills.**
- **Proper installation is the responsibility of the installer.**
- **Product failure due to improper installation is not covered under the warranty.**
- **Keep this instruction manual.**

## Required tools



Slotted Screwdriver



Pipe Pliers

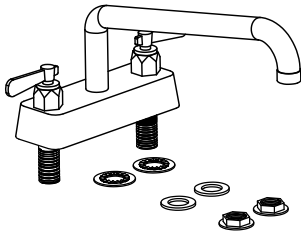


Crescent Wrench

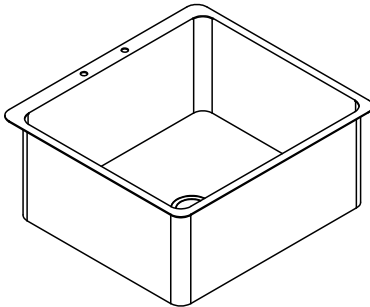


Teflon Tape

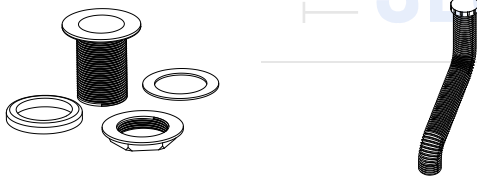
**Faucet**  
QTY: 1



**Sink**  
QTY: 1



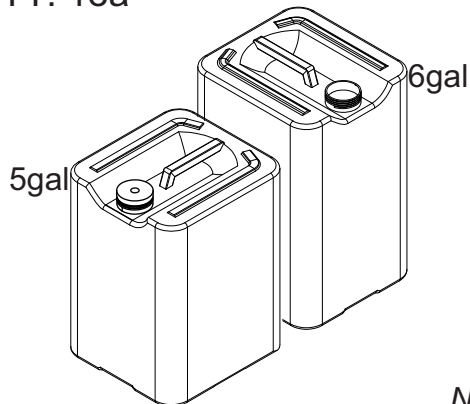
**Strainer and Flexible Drain**  
QTY: 1ea



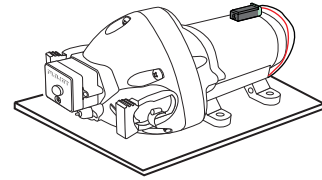
**Faucet fitting cap**  
QTY: 1



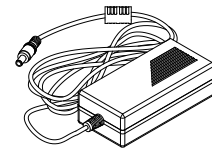
**Water Tanks**  
QTY: 1ea



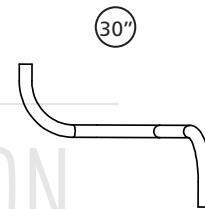
**Pump**  
QTY: 1



**Power adapter**  
QTY: 1



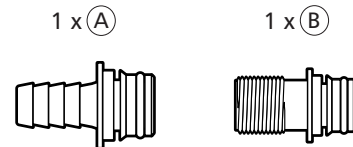
**Braided Hose**  
QTY: 1



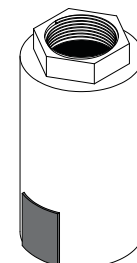
**Plastic hose and clamp**  
QTY: 1 ea



**Adapters**  
QTY: 2



**Faucet Motion Sensor**  
QTY: 1



*Note: Parts are not to scale.*

**STEP 1:** Install faucet sensor as shown below.

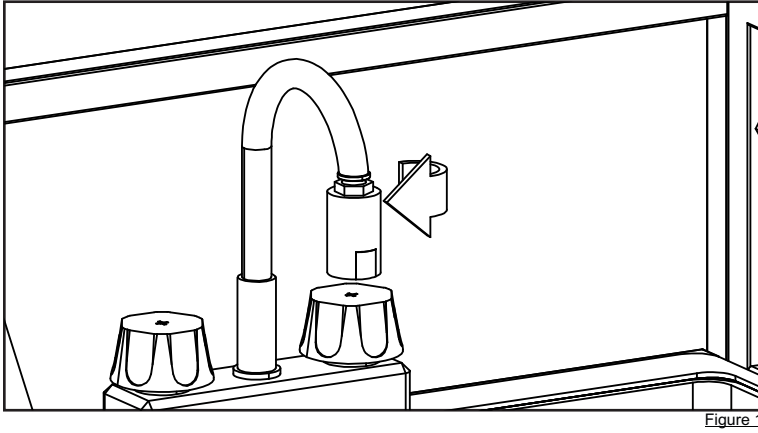


Figure 1

*Note: Make sure to fully charge sensor prior use. Charging cable provided.*

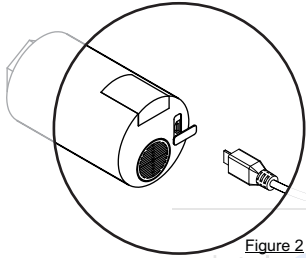


Figure 2

**STEP 2:** Install sink drainer by placing it and its seal washer as shown below. Follow diagram to complete drainer installation. Then proceed to install flexible drainer.

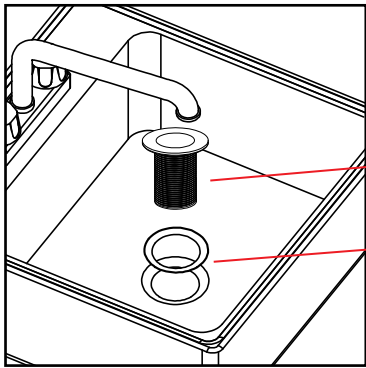


Figure 3

Drainer

Seal Washer

1

2

Seal Washer

Nut

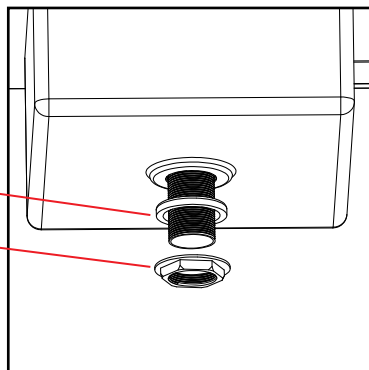


Figure 4

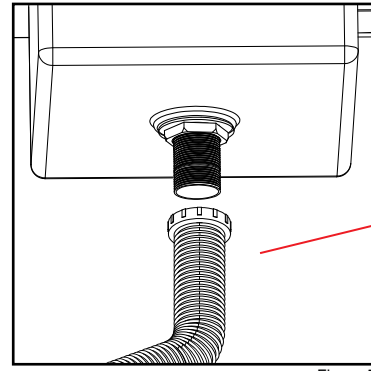


Figure 5

Flexible Drain

3

**STEP 3:** Slide in water tanks, as shown below. Make sure to place 6gal tank (tallest) on the left side.

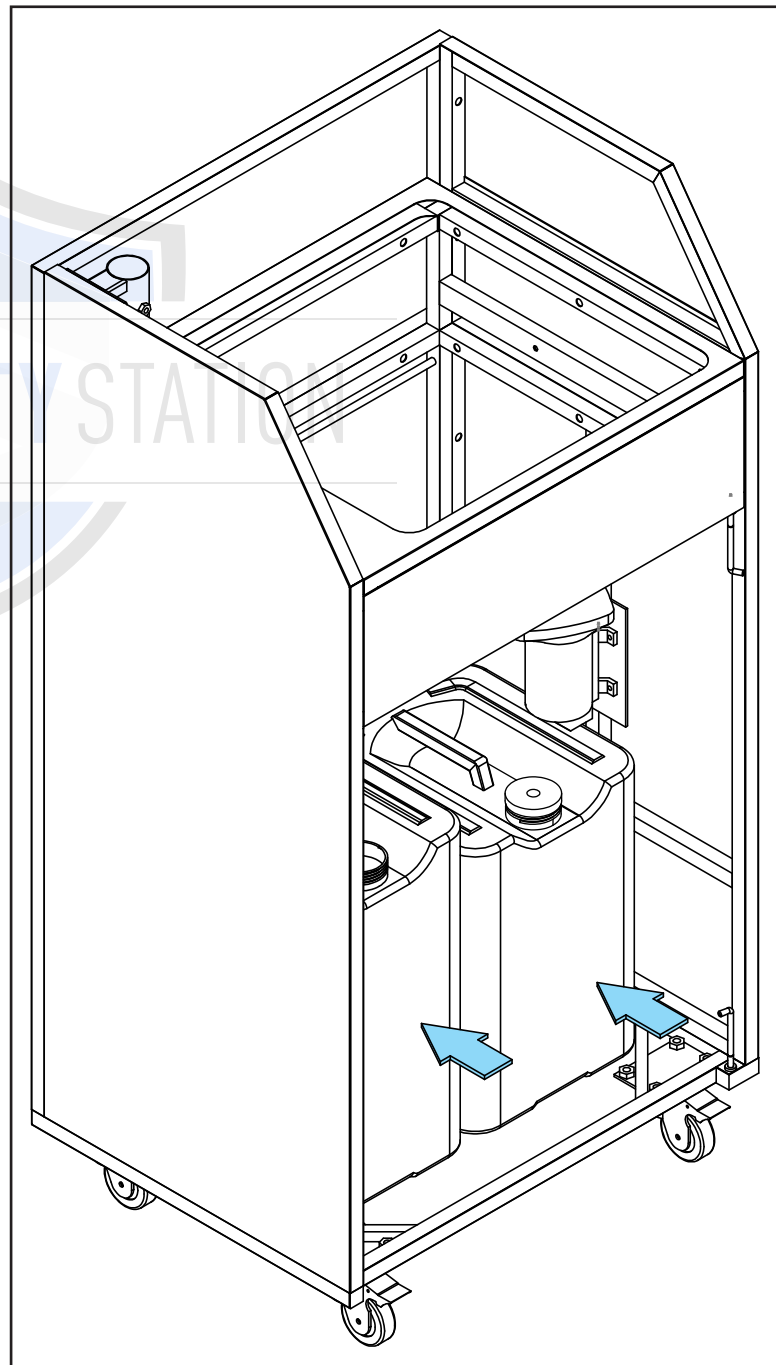


Figure 6

**STEP 4:** Insert the sink in the working surface cut out.

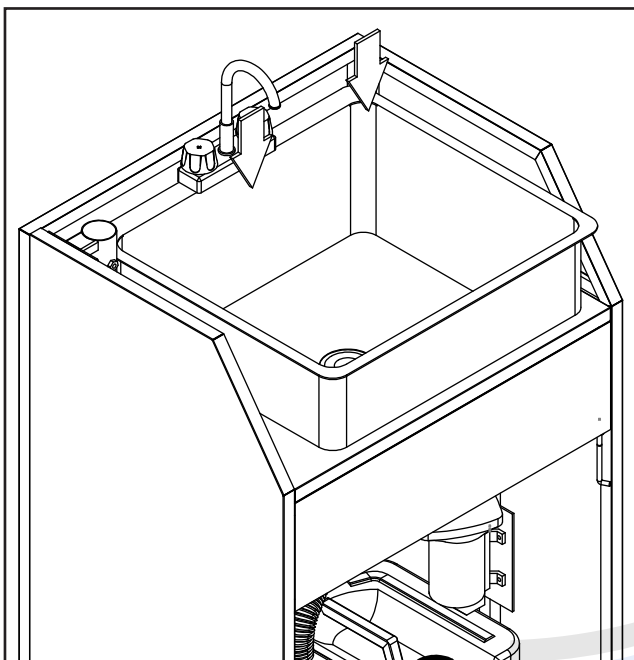


Figure 7

**STEP 5:** Insert flexible drainer in the 6gal waste water tank opening.

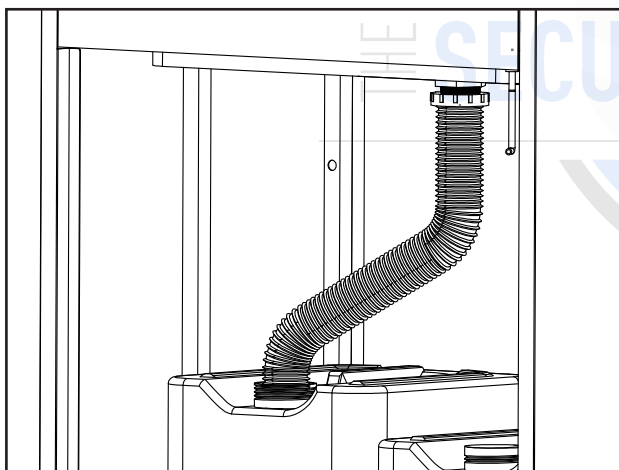


Figure 8

**STEP 6:** Install clear plastic hose in the pump's inlet port. Secure hose to the nipple fitting using a hose clamp. Take braided hose and connect it to the discharge port. Use as much teflon tape as needed.

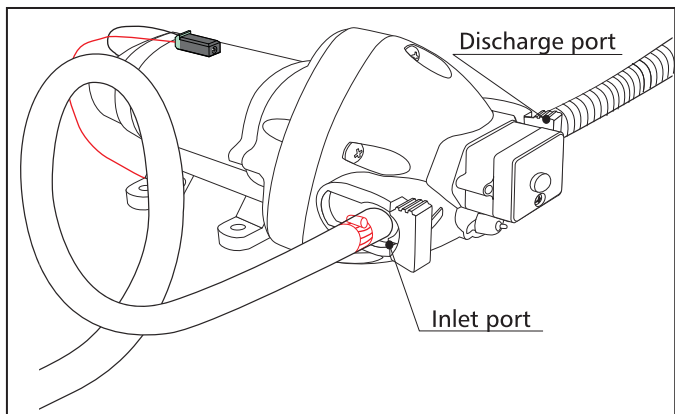


Figure 9

**STEP 7:** Insert clear plastic hose into the 5gal clean water tank.

*Note: Fill clean water tank. Remember to always do so when all electric components are disconnected from a power source.*

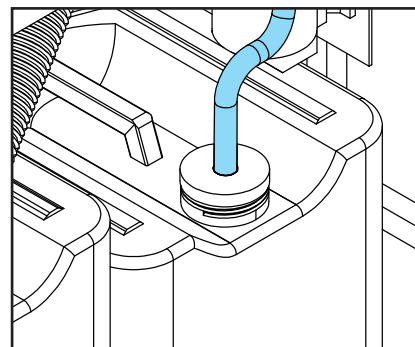


Figure 10

**STEP 8:** Plug the pump's power adapter cable to the plug placed on the pump.

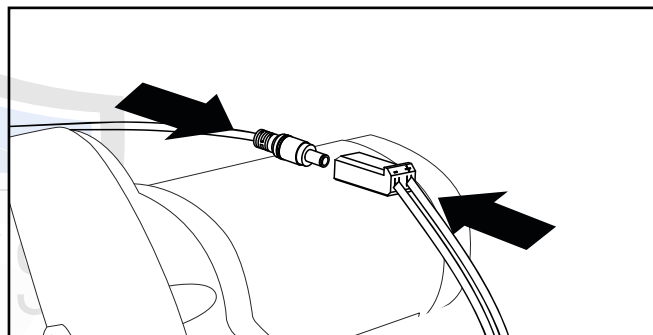


Figure 10

**STEP 9:** Place power adapter on pre-installed velcro tape on the side wall of the podium. Plug pump to power adapter.

*Note: Use bottom grommet to plug power adapter to a wall outlet.*

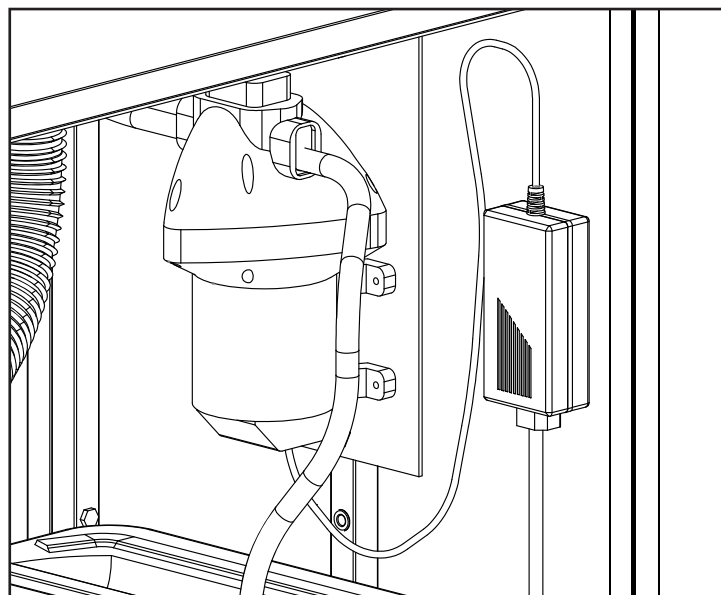


Figure 11

**Do not plug the power supply to the wall or battery yet.  
Pump is active when plugged in.  
There's no on/o fswitch.**

## Before turning the system on

- Make sure all the fittings, hoses and cables are properly plugged and/or sealed.
- Double read this guide if necessary.
- Read the maintenance and care guide as well as the pump manufacturer's guide.

## Operating the system

### To turn it on

1. Fill the clean water tank.
2. Open the faucet.
3. Connect the pump to a wall plug or battery.
3. The pump will start working, once you see water coming out of the faucet close the faucet.

### To turn it off

1. Open the faucet.
2. Disconnect the pump's power adapter from wall plug.

### Recommendations

- Always keep water inside the the clean water tank, this is critical for the system to work properly.
- The hoses could keep water inside of them after every use.
- The pump is capable of running dry for a couple minutes. Serious damage could occur if it runs dry for long periods of time.
- When disassembling the system there will always be water left in the hoses. Have a towel handy as you are taking apart.

**CAUTION: The Security Station IS NOT liable for any injury caused by misuse, spills, accidents nor by improper installations, alterations or repairs. Please use system with caution only.**



---

**THE SECURITY STATION**

---

**Contact us**

Tel # 877-740-3327

Fax # 866-659-3353

E-mail: [sales@thesecuritystation.com](mailto:sales@thesecuritystation.com)

**Visit us at**

[www.thesecuritystation.com](http://www.thesecuritystation.com)

