



Stainless Steel Standard Security Podium

Economical, Intelligent Design, Fast Shipping

Introducing the upgraded, modern Stainless Steel Security Podium. It provides sophisticated style and key features for a great price. Constructed from 18 gauge stainless steel, this security podium provides ample electronics-ready storage space. Available upgrades include an optional transaction counter and a lockable security box that fits into the drawer.



Basic Features

- All stainless steel construction
- 18 gauge brushed stainless steel metal
- Umbrella holder
- Heavy-duty Locking Casters
- 2 cam locks w/ keys
- Optional sneeze guard comes ready to use
- Drawer with built-in option for lockable security box
- Optional Transaction Counter
- Replaceable parts
- Pre-assembled
- Manufacturer's Warranty

Dimensions: 24"W x 19"D x 48"H

Weight: 110 lbs.

Upgrade Options

Door Lock

Dual key/ combination cam lock + \$50.00

Schlage Keypad Lock + \$320.00

UltraLoq UL3 Lock + \$330.00

Sneeze Guard

3 Panel + \$175.00

Miscellaneous

Transaction Counter + \$90.00

Cash Tray Drawer Insert + \$55.00

Lock Box + \$49.95

Short Shelf + \$20.00

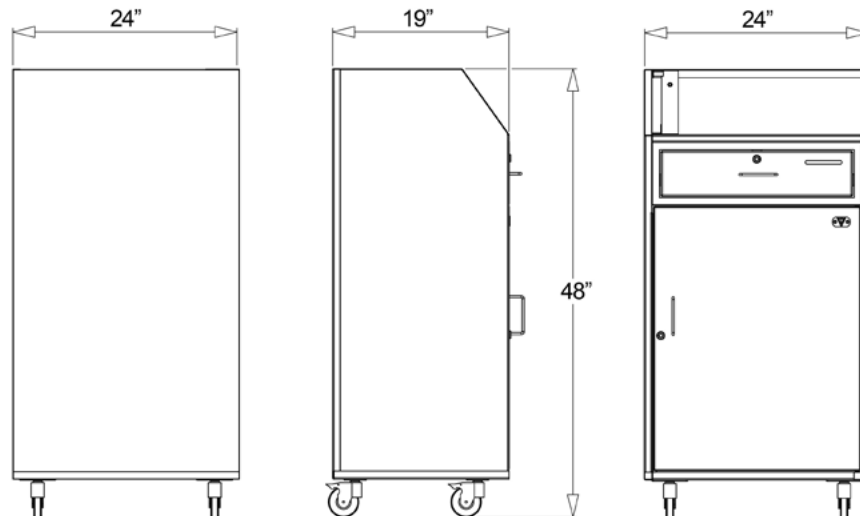
Long Shelf + \$30.00

Accessories

Podium Cover + \$39.95

Heavy-duty Podium Cover + \$59.95

Umbrella + \$169.95



**TOTAL COST
 BEFORE DELIVERY**

\$1,389.00 (basic options)