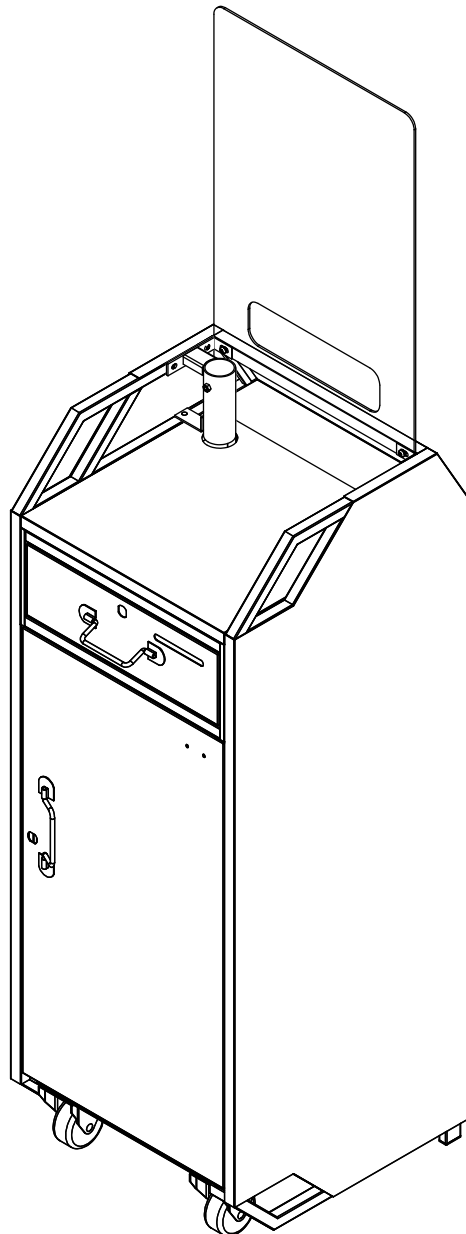


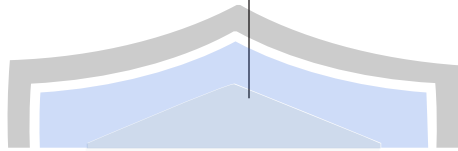
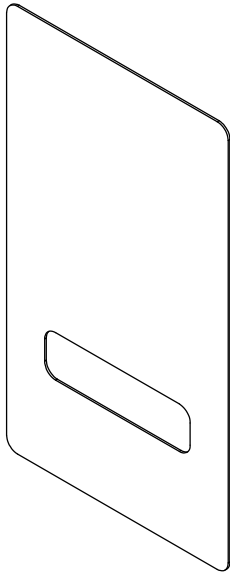


# COMPACT SECURITY PODIUM SNEEZE GUARD SET UP



- **Read all the instructions before installing.**
- **Remove all packing materials before you start.**
- **Remove all protection films from acrylic panels.**
- **This installation requires basic mechanical skills.**
- **Proper installation is the responsibility of the installer.**
- **Product failure due to improper installation is not covered under the warranty.**
- **Keep this instruction manual.**

Sneeze Guard  
QTY: 1



---

THE SECURITY STATION

---

*Note: Parts are not to scale.*

**STEP 1:** Remove bolts highlighted in the drawing below using an allen key:

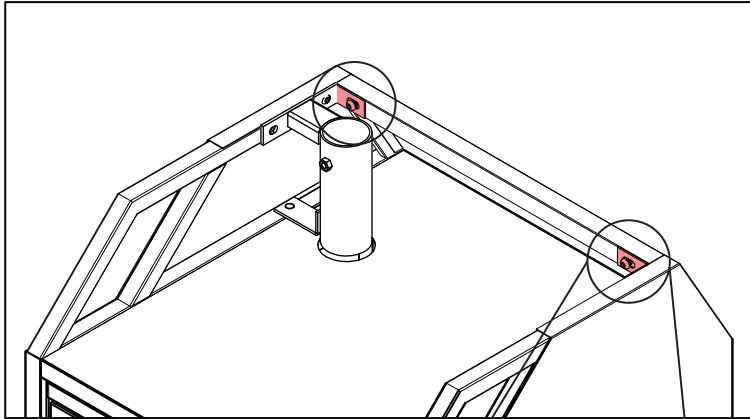


Figure 1

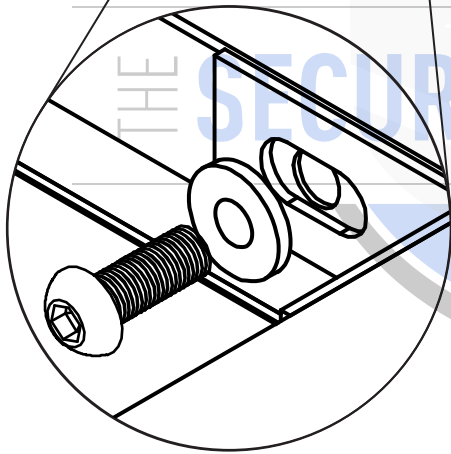


Figure 2

*Note: Bracket might come loose while removing bolt.*

**STEP 2:** Install sneeze guard by sliding in from above, follow diagram below to re-install the hardware removed in STEP 1.

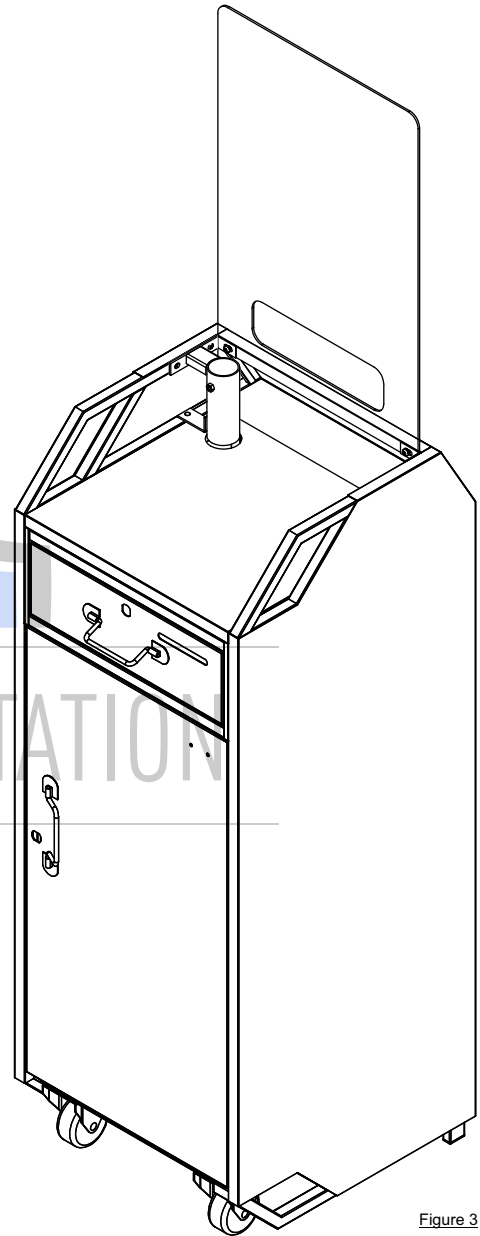
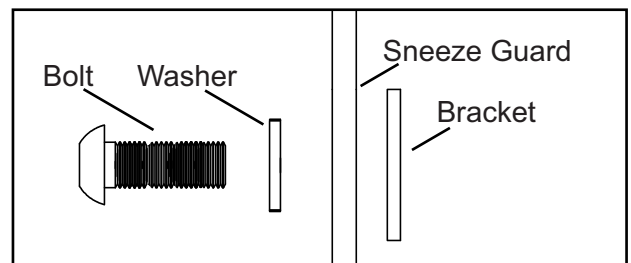


Figure 3





**Contact us**

Tel # 877-740-3327

Fax # 866-659-3353

E-mail: [sales@thesecuritystation.com](mailto:sales@thesecuritystation.com)

**Visit us at**

[www.thesecuritystation.com](http://www.thesecuritystation.com)

